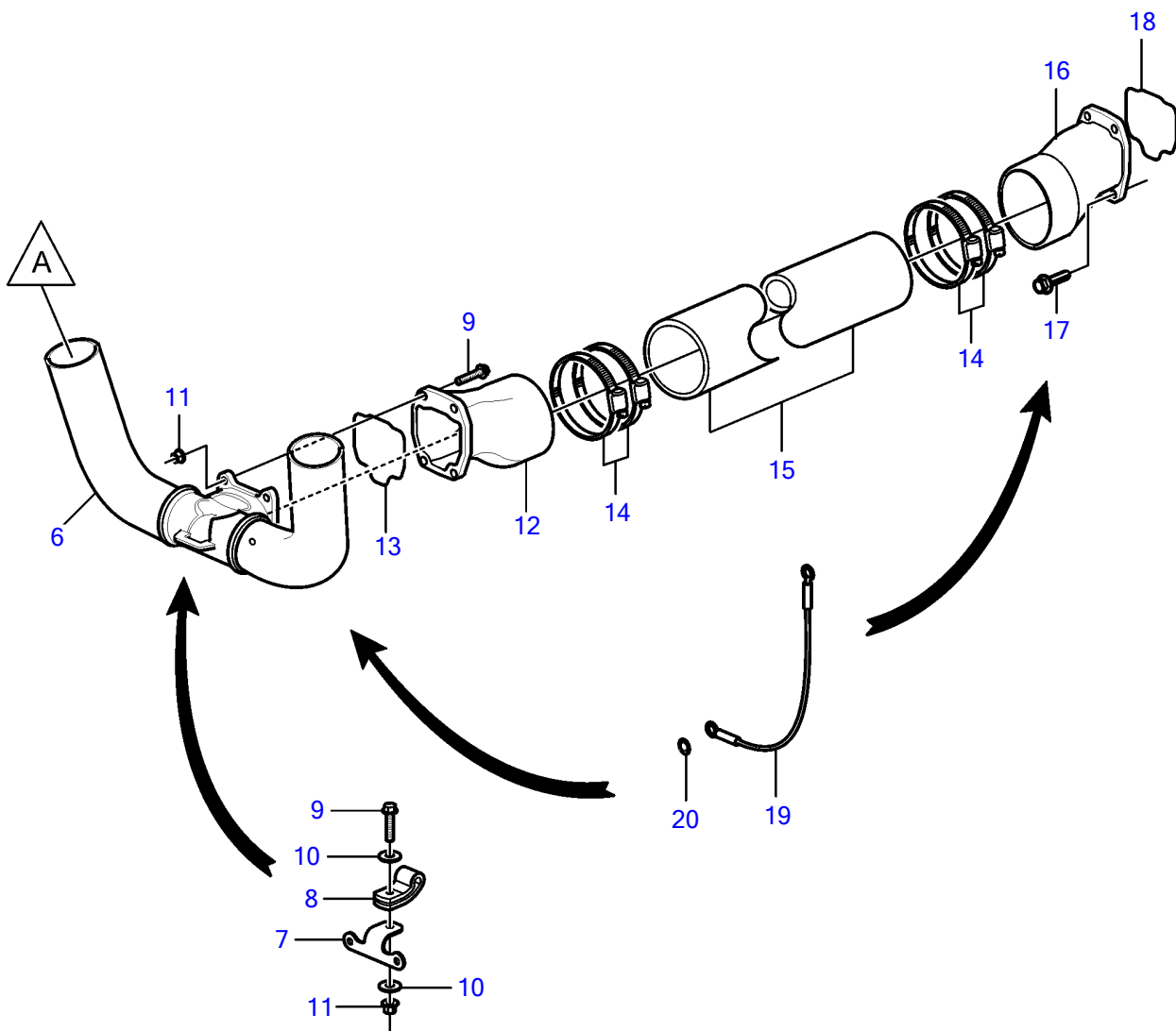
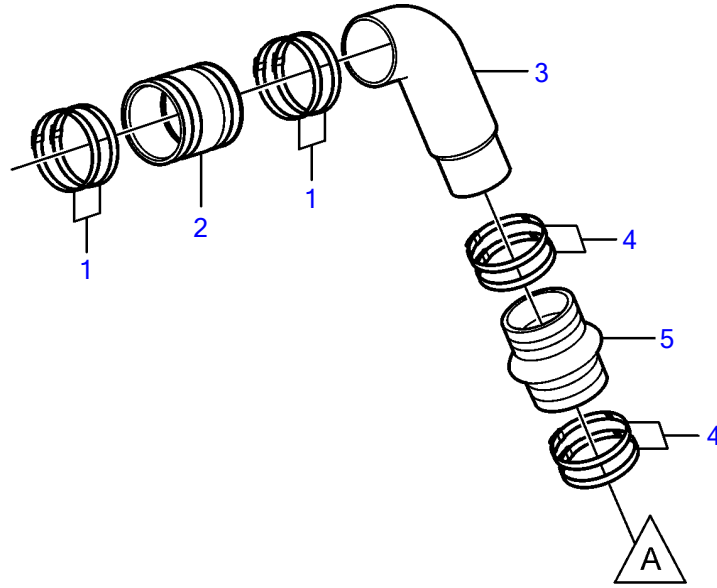


XHP-B, XHP-BLT, XXP-A, XXP-ALT



XHP-B, XHP-BLT, XXP-A, XXP-ALT

REF	PART NO.	QTY	DESCRIPTION	SEE SEC.	NOTES
1	3863443	8	Hose clamp		
2	3852696	1	Hose		
3	3863189	2	Elbow		
4	3863442	8	Hose clamp		
5	3863450	2	Bellows		
6	(3860821)	1	Exhaust pipe		Obsolete part
7	(3862519)	1	Bracket		Obsolete part
8	(3862518)	1	Strap		Obsolete part
9	965220	5	Flange screw		
10	944633	2	Washer		
11	971098	5	Flange lock nut		
12	3818716	1	Exhaust collector		
13	3860984	1	Sealing		
			• Bulletin P-25-2-2	P-25-2-2-EN	Y-pipe seal, gas engines
14	3843170	4	Hose clamp		
15		1	Hose, exhaust		Cut to length
16	3818699	1	Exhaust collector		
17	3841928	4	Flange screw		
18	3860984	1	Sealing		
			• Bulletin P-25-2-2	P-25-2-2-EN	Y-pipe seal, gas engines
19	3853927	2	Chassis ground cable		
20	(3852070)	2	Washer		Obsolete part